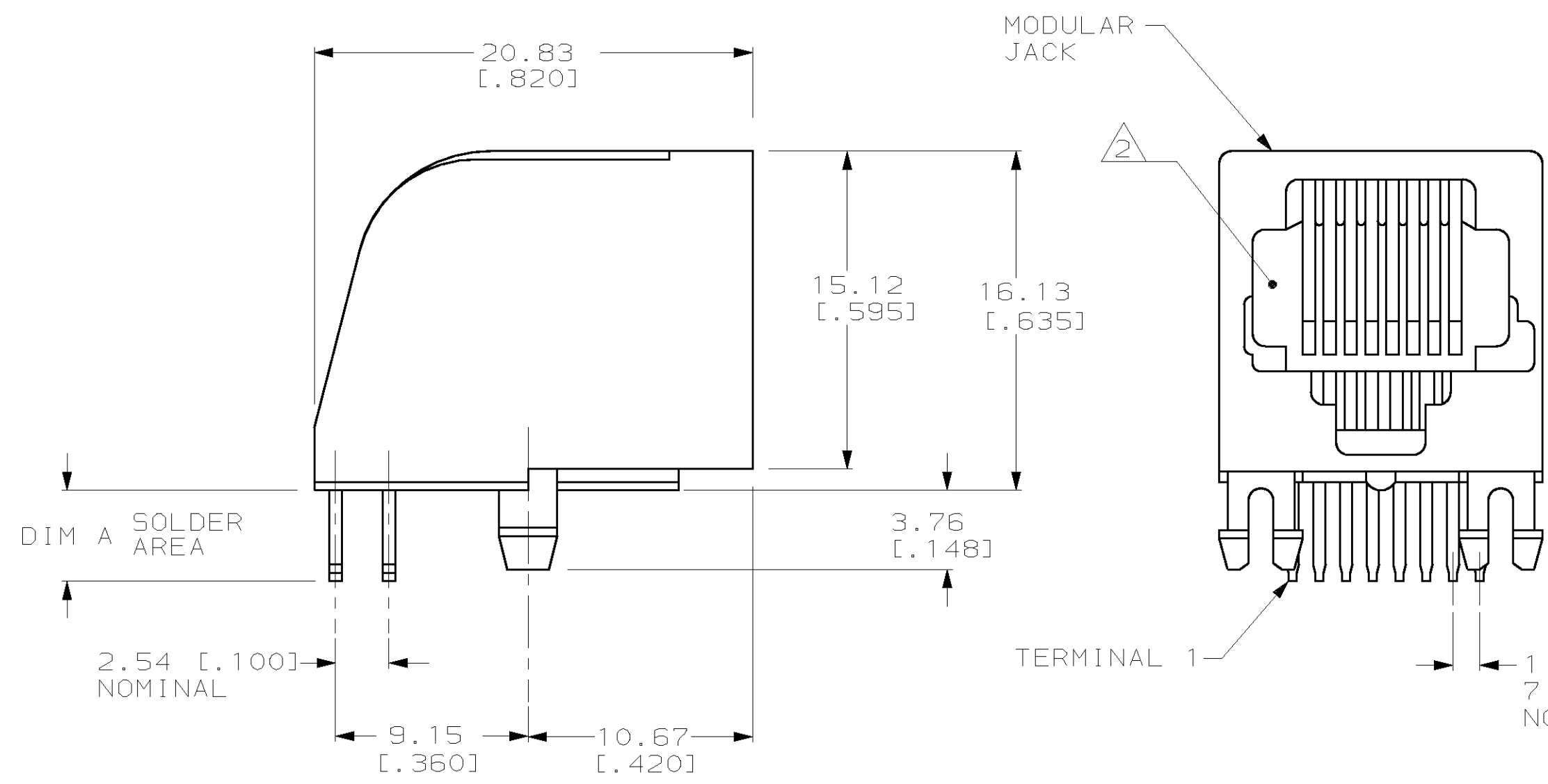
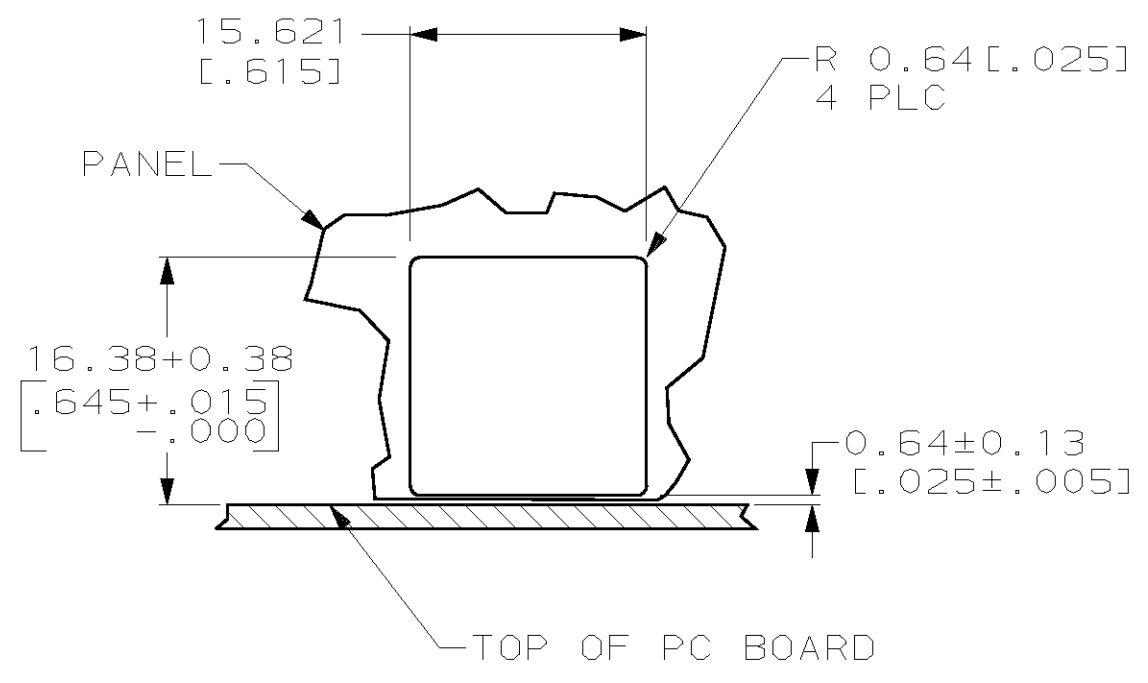
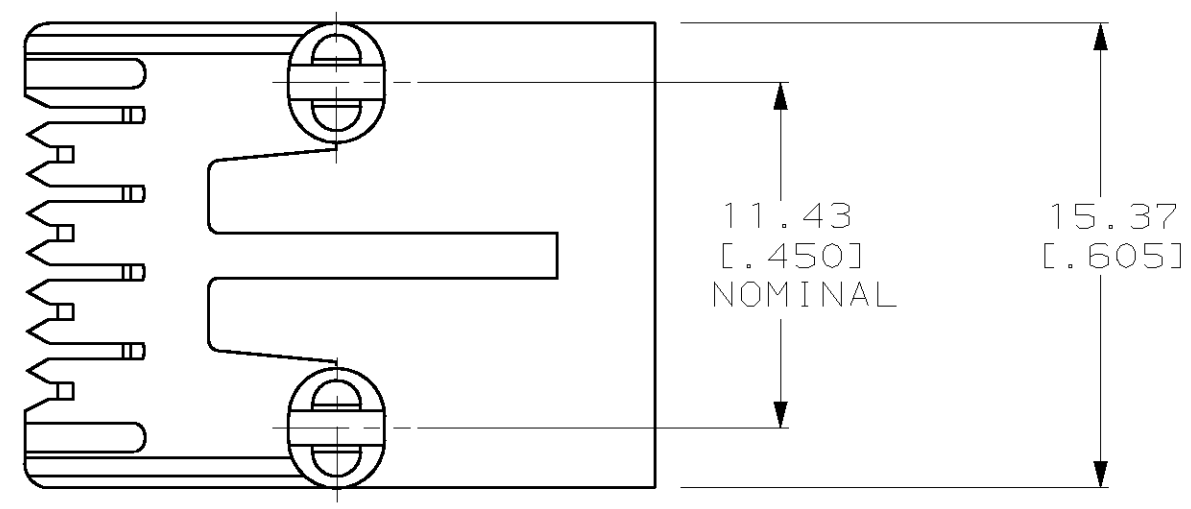


THIS DRAWING IS UNPUBLISHED. RELEASED FOR PUBLICATION
 (C) COPYRIGHT 19 BY AMP INCORPORATED. ALL RIGHTS RESERVED.

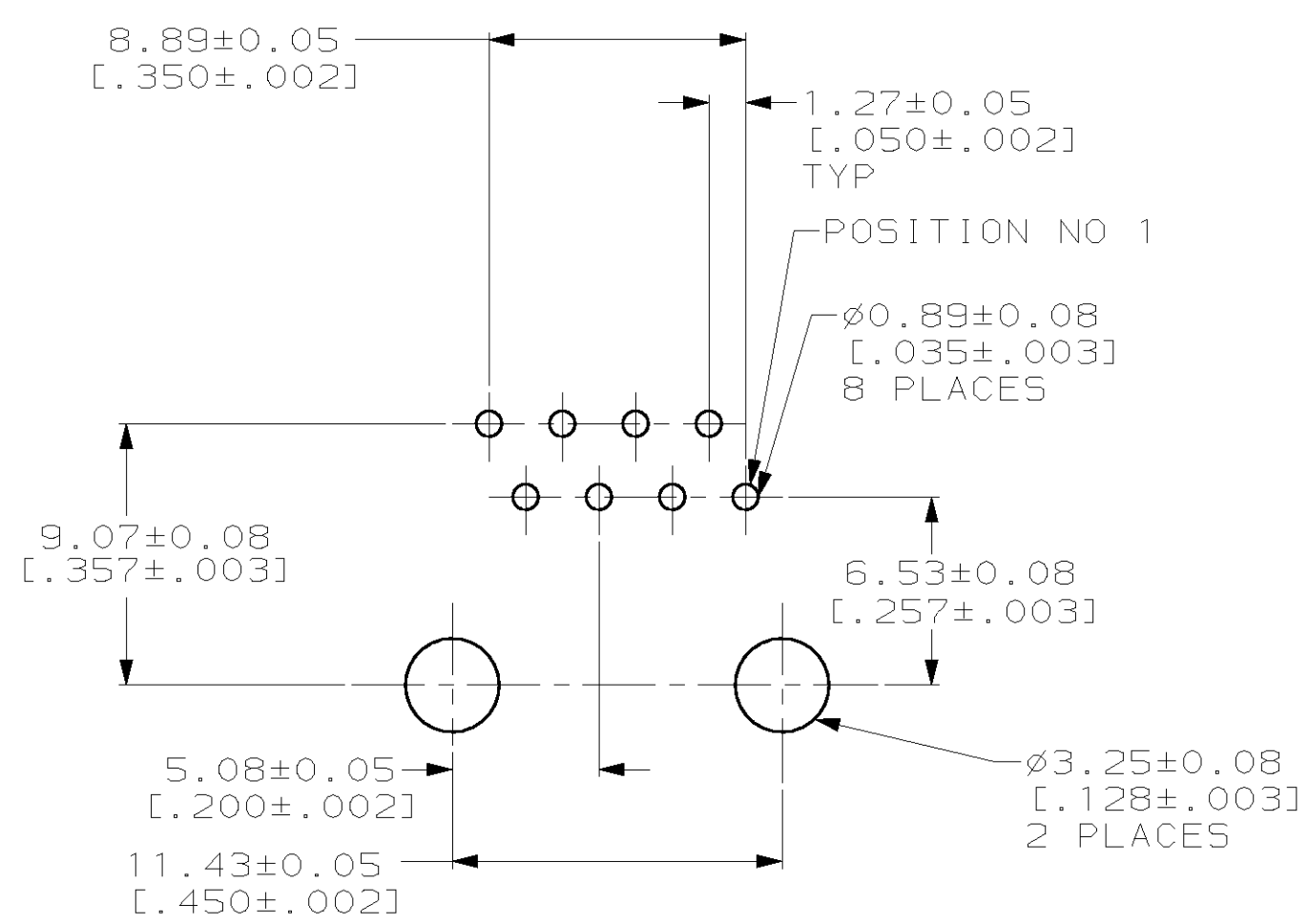
LOC	DIST	REVISIONS			
P	LTR	DESCRIPTION	DATE	DWN	APVD
AA	22	P	REVISED PER EC 0UFO-0129-01	24SEP01	DLD/LLV



- ① MATERIAL: HOUSING - PBT POLYESTER. TERMINAL - 0.35 [.0138] THICK PHOS-BRONZE PLATED WITH 1.27µm [.000050] THICK HARD GOLD IN LOCALIZED GOLD PLATE AREA AND 2.03µm [.000080] THICK TIN-LEAD IN SOLDER AREA OVER 1.27µm [.000050] THICK NICKEL UNDERPLATE.
- ② CAVITY CONFORMS TO FCC RULES AND REGULATIONS PART 68, SUBPART F.
- 3. ALL DIMENSIONS SHOWN ARE MAXIMUM UNLESS OTHERWISE SPECIFIED.
- ④ BULK PACKAGED IN A TRAY.



SUGGESTED PANEL CUTOUT
 SCALE 2:1



SUGGESTED PRINTED CIRCUIT BOARD LAYOUT
 CIRCUIT SIDE

DIM A	HSG COLOR	PACKAGED	CONTACTS	PART NUMBER
2.41 [.095]	BLACK	④	8	520426-8
3.05 [.120]	BLACK	④	8	520426-7
4.32 [.170]	DEC GRAY	④	8	520426-6
4.32 [.170]	BLACK	④	8	520426-4

SUPERSEDED BY 520426-8

THIS DRAWING IS A CONTROLLED DOCUMENT FOR AMP INCORPORATED. IT IS SUBJECT TO CHANGE AND THE CONTROLLING ENGINEERING ORGANIZATION SHOULD BE CONTACTED FOR THE LATEST REVISION.		DWN L. MUSTAR/UTA 8-3-95 CHK N. JONES 8-18-95 APVD E. LAURER 8-25-95	AMP Incorporated Harrisburg, PA 17105-3608
DIMENSIONS: mm [INCHES] 	TOLERANCES UNLESS OTHERWISE SPECIFIED: 0 PLC ±- 1 PLC ±- 2 PLC ±- 3 PLC ±- 4 PLC ±- ANGLES ±- FINISH ①	NAME E. LAURER PRODUCT SPEC 108-1163 APPLICATION SPEC 114-2048 WEIGHT - CUSTOMER DRAWING	PRINTED CIRCUIT BOARD MODULAR JACK ASSEMBLY, SIDE ENTRY, 8 POSITION, FLANGELESS, WITHOUT PANEL STOPS. SIZE A2 CAGE CODE 00779 DRAWING NO. C-520426 SCALE 4:1 SHEET 1 OF 1 REV P

520426